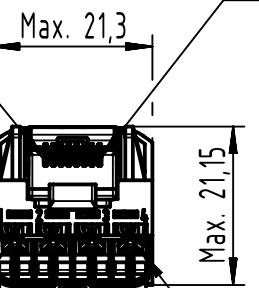
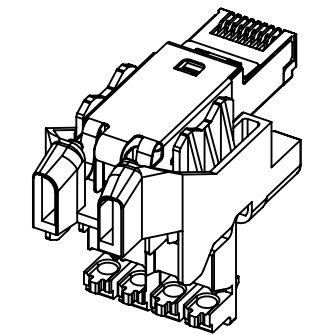
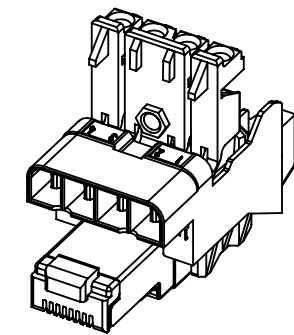
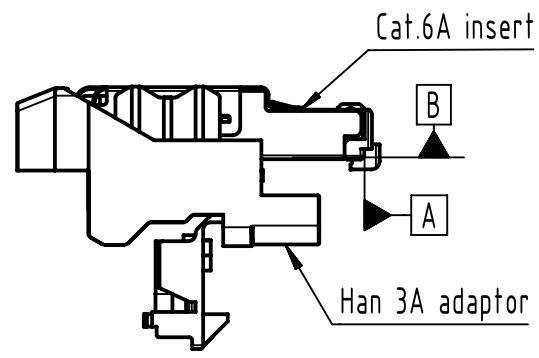
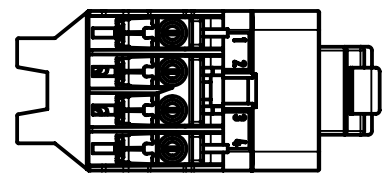
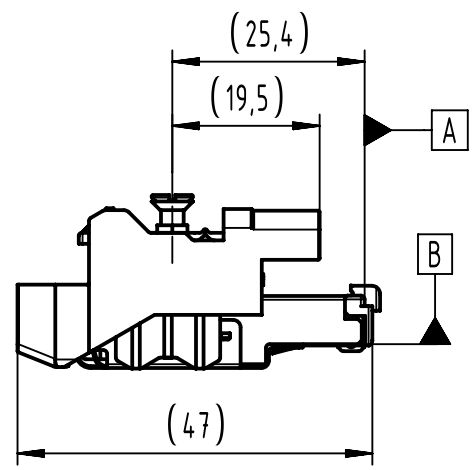


Contact 8


Contact 1



Han 3A adaptor with closed lever



- For stranded conductors  
AWG 28 up to AWG 24
- Max. wire diameter 1.05mm
- Cat.6A performance class EA  
suitable for 1/10 Gigabit Ethernet
- Temperature range -40°C up to +70°C
- 750 mating cycles

	All rights reserved Department EL PD	All Dimensions in mm Original Size DIN A4	Scale 1:1	Free size tol.		Ref.	
		HARTING D-32339 Espelkamp	Created by 406403	Inspected by PREOTU	Standardisation RUETERA	Date 2022-08-16	State Final Release
Title Han3A RJ45 Hybrid GL Cat6A insert 8+4p						Doc-Key / ECM-Nr. 100514368/UGD/002/F 500000221441	
			Type TB	Number 09451001720		Rev. F	Page 1/1